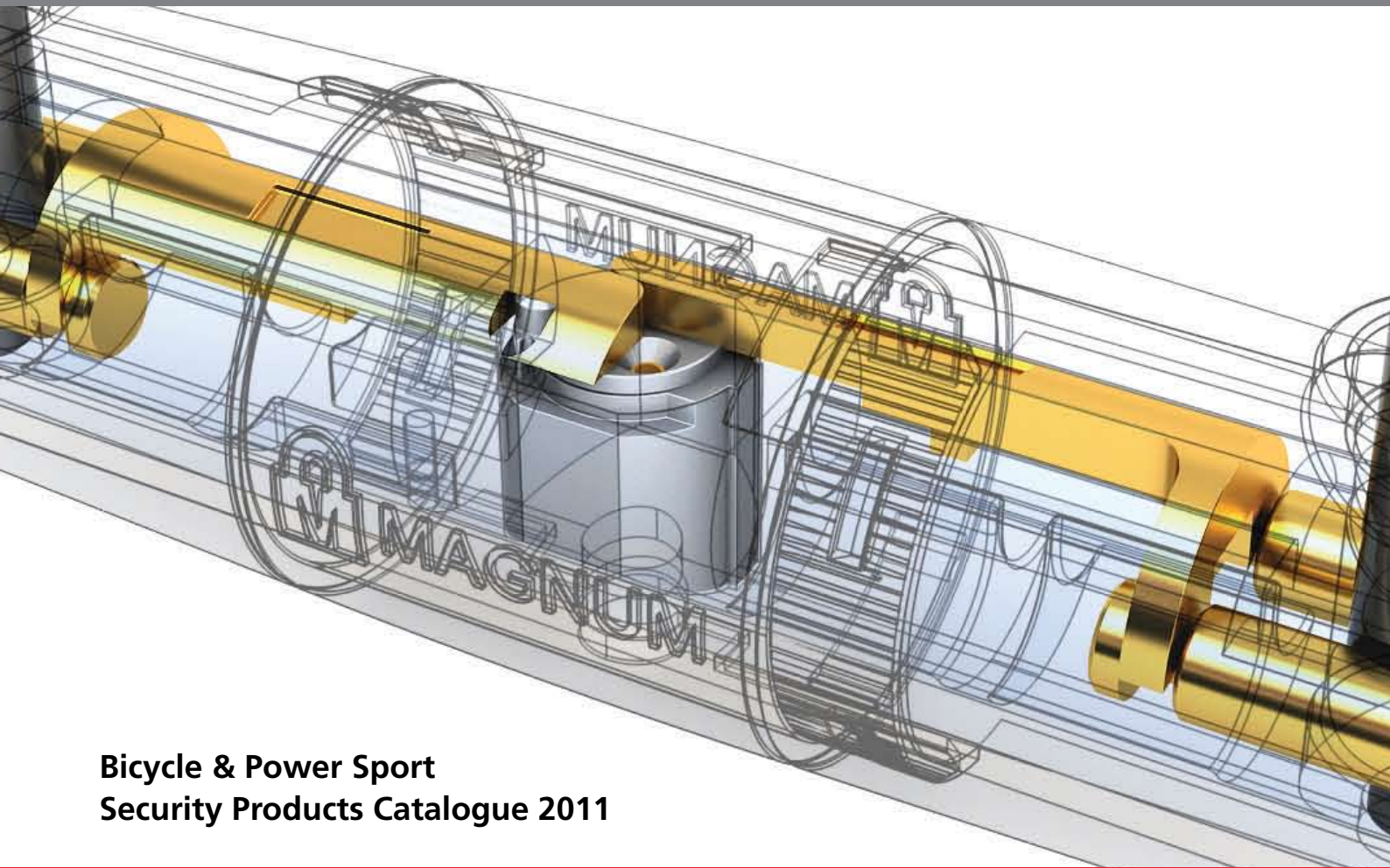




**MAGNUM**<sup>®</sup>  
SECURE LOCK SYSTEMS



**Bicycle & Power Sport  
Security Products Catalogue 2011**



**CLASSÉ  
SRA**





**MAGNUM**<sup>®</sup>  
SECURE LOCK SYSTEMS



MAGNUM M-Cylinder is impervious to attack from picking, pulling or drilling and has over 100,000 key combinations for the ultimate in security. Fully encased in hardened steel to resist pulling, the M-Cylinder tumblers will not turn unless the key is properly inserted protecting both key and tumbler from damage due to misuse.



MAGNUM U-Locks & Cable Locks come equipped with our new TwistLock QR Mounting Bracket is a complete redesign offering improved ease-of use. Simply attach the universal mounting bracket to any tube, insert the lock "T" fixture and twist. To release push the orange release lever and twist. Carrying your lock has never been easier.



Locks equipped with M-Cylinder systems come standard with 4 laser-cut keys plus 1 micro-light key for night use and can be keyed alike with other MAGNUM M-Cylinder locks.



**X4 QUATTRO BOLT**



The Quattro Bolt Locking Mechanism provides unequalled strength by locking the cross bar to the shackle on four sides, maximizing pull resistance.

**X2 DOUBLE BOLT**



The Double Bolt Locking Mechanism provides added strength and high pull resistance by locking tight to 2 sides of the bar.

**X2 DOUBLE BOLT**



The Double Bolt Locking Mechanism provides high pull resistance.

**STEEL BALL COMBO**



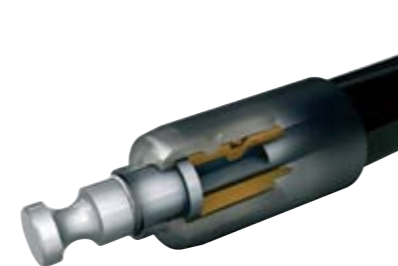
The Steel ball Click-Combo-Gear-System offers high security with superior protection from pick and pull attacks.

**X2 DUAL LOCK DOWN**



The Dual Lock Down Deadbolt Locking Mechanism provides high pull resistance holding power second to none.

**LOCKING INSERT**



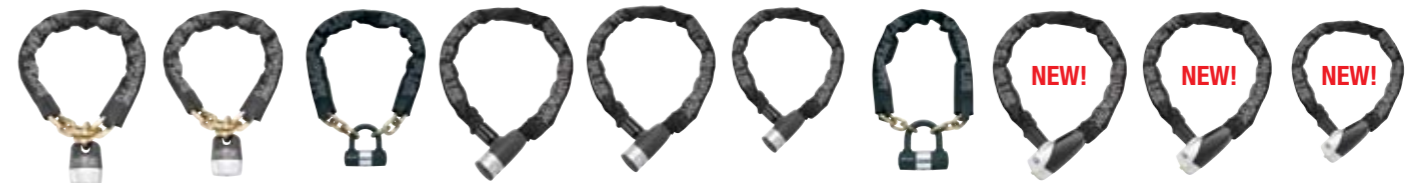
All-round cut protected locking insert.

**U-LOCKS**



- 3000 110 x 260mm
- 3001 115 x 230mm
- 3002 115 x 292mm
- 3003 115 x 230mm + cable
- 3039 90 x 140mm + cable
- 3100 115 x 230mm
- 3101 115 x 290mm
- 3102 115 x 230mm + cable
- 3103 90 x 140mm

**CHAIN LOCKS**



- 3004 110cm x 12mm
- 3005 180cm x 12mm
- 3006 110cm x 10mm
- 3007 180cm x 10mm
- 3008 110cm x 10mm
- 3009 80cm x 10mm
- 3040 85cm x 8mm
- 3104 180cm x 10mm
- 3105 110cm x 10mm
- 3106 85cm x 8mm

**ARMORED LOCKS**



- 3010 180cm x 25mm
- 3011 110cm x 25mm
- 3012 180cm x 25mm
- 3013 110cm x 25mm
- 3107 85cm x 25mm
- 3014 100cm x 18mm
- 3108 150cm x 18mm

**COIL CABLE LOCKS**



- 3015 180cm x 12mm
- 3016 180cm x 12mm
- 3034 180cm x 10mm
- 3017 180cm x 12mm
- 3109 180cm x 10mm
- 3018 180cm x 8mm
- 3110 180cm x 12mm
- 3111 180cm x 10mm
- 3112 180cm x 8mm

**CABLE LOCKS**



- 3019 100cm x 20mm
- 3020 180cm x 20mm
- 3021 110cm x 25mm
- 3022 100cm x 18mm
- 3023 80cm x 12mm
- 3024 120cm x 12mm
- 3025 180cm x 12mm
- 3041 185cm x 15mm
- 3042 185cm x 15mm
- 3043 90cm x 15mm

**DISC LOCKS**



- 3028 55mm x 55mm
- 3031 5.5mm PIN
- 3032 10mm PIN
- 3029 72mm x 13mm
- 3113 5.5mm PIN
- 3114 5.5mm PIN
- 3044 10mm PIN

## U-LOCKS

### MAGNUM U-locks feature:

- X4 and X2 locking mechanisms secure both sides of the shackle
- Hardened steel shackles are impervious to prying, jacking, or cutting
- Round profile and smooth edges eliminate leverage points
- Fully coated shackles and crossbar protects delicate finishes and paint jobs



3000

U-Lock 110 x 260mm



3001

U-Lock 115 x 230mm



3002

U-Lock 115 x 292mm



3003

U-Lock 115 x 230mm  
Cable 120cm x 10mm

3039

U-Lock 90 x 140mm  
Cable 120cm x 10mm

3100

U-Lock 115 x 230mm

**NEW!**

3101

U-Lock 115 x 290mm

**NEW!**

3102

U-Lock 115 x 230mm  
Cable 120cm x 10mm**NEW!**

3103

U-Lock 90 x 140mm

**NEW!**

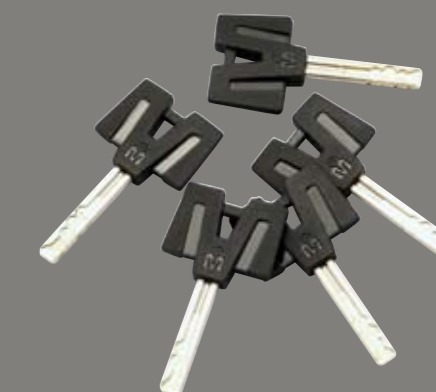
### ADDITIONAL FEATURES



Quick release multi-position mounting bracket.  
(all models except #3000)



5 laser cut keys (1 micro-light and 4 extra grip keys). Micro-light key projects a bright white beam.  
(#3000, 3001, 3002, 3003)



5 keys (#3100, 3101, 3102, 3103)

## CHAIN LOCKS

### MAGNUM chain locks feature:

- Hexagonal and square chain links have more surface area than round links to resist attack from bolt cutters
- Titanium surface hardening further increases cut resistance
- Nylon embroidered chain covers with velcro closures protect paint jobs and delicate finishes while embroidered logo won't crack, peel or flake off
- Wide variety of lock styles, chain lengths and weights to suit every need



3004

Chain Lock 110cm x 12mm



3005

Chain Lock 180cm x 12mm



3006

Chain Lock 110cm x 10mm



3007

Chain Lock 180cm x 10mm



3008

Chain Lock 110cm x 10mm



3009

Chain Lock 80cm x 10mm



3040

Chain Lock 85cm x 8mm



3104

Chain Lock 180cm x 10mm



3105

Chain Lock 110cm x 10mm



3106

Chain Lock 85cm x 8mm



### ADDITIONAL FEATURES



5 laser cut keys (1 micro- light and 4 extra grip keys). Micro-light key projects a bright white beam. (#3004-3009, 3040)



5 keys (#3104, 3105, 3106)

# ARMORED LOCKS

## MAGNUM armored locks feature:

- Twisted steel cable is encased in hardened steel armor to resist attack from bolt cutters
- X2 Double Bolt lock mechanism provides ultimate pull resistance
- Round lock profile and insert eliminates leverage points and increases cut resistance
- Vinyl coated armor and double rubber coated cylinder protect painted surfaces



**3010**

Armored Lock 180cm x 25mm



**3011**

Armored Lock 110cm x 25mm



**3012**

Armored Lock 180cm x 25mm



**3013**

Armored Lock 110cm x 25mm



**3107**

Armored Lock 85cm x 25mm



**3014**

Armored Lock 100cm x 18mm



**3108**

Armored Lock 150cm x 18mm



## ADDITIONAL FEATURES



5 laser cut keys (1 micro-light and 4 extra grip keys). Micro-light key projects a bright white beam. (#3010, 3011)



5 keys (#3012-14, 3107-8)

**MAGNUM coil cable locks feature:**

- Heavy duty self-coiling cables are vinyl coated to protect finishes
- X2 Double Bolt lock mechanism provides ultimate pull resistance
- Steel ball Click-Combo-Gear System has user settable combination
- All coil lock models include versatile mounting bracket



**3015**  
Coil Cable Lock 180cm x 12mm



**3016**  
Coil Cable Lock 180cm x 12mm



**3034**  
Coil Cable Lock 180cm x 10mm



**3017**  
Coil Cable Lock 180cm x 12mm

**NEW!**



**3109**  
Coil Cable Lock 180cm x 10mm

**NEW!**



**3018**  
Coil Cable Lock 180cm x 8mm

**NEW!**



**3110**  
Coil Cable Lock 180cm x 12mm

**NEW!**



**3111**  
Coil Cable Lock 180cm x 10mm

**NEW!**



**3112**  
Coil Cable Lock 180cm x 8mm

**NEW!**



**ADDITIONAL FEATURES**



Quick release multi-position mounting bracket



5 laser cut keys (1 micro-light and 4 extra grip keys). Micro-light key projects a bright white beam. (#3015)



5 keys (#3017, 3018, 3109)

# CABLE LOCKS

## MAGNUM cable locks feature:

- Heavy duty cables are extra flexible for ease of use
- X2 Double Bolt lock mechanism provides ultimate pull resistance
- Steel ball Click-Combo-Gear System has user settable combination
- Vinyl and rubber coatings protect delicate finishes



3019

Cable Lock 100cm x 20mm



3020

Cable Lock 180cm x 20mm



3021

Cable Lock 110cm x 25mm

**NEW!**



3022

Cable Lock 100cm x 18mm

**NEW!**



3023

Cable Lock 80cm x 12mm

**NEW!**



3024

Cable Lock 120cm x 12mm

**NEW!**



3025

Cable Lock 180cm x 12mm

**NEW!**



3041

Cable Lock 185cm x 15mm



3042

Cable Lock 185cm x 15mm



3043

Cable Lock 90cm x 15mm



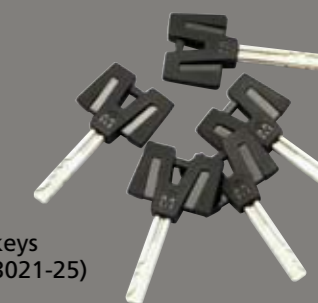
## ADDITIONAL FEATURES



5 laser cut keys (1 micro-light and 4 extra grip keys). Micro-light key projects a bright white beam. (#3019, 3020, 3041, 3043)



Quick release multi-position mounting bracket (#3041, 3042, 3043)



5 keys (#3021-25)

# DISC LOCKS

### MAGNUM disc locks feature:

- X4 and X2 locking mechanisms secure both sides of the shackle
- Hardened steel shackles are impervious to prying, jacking, or cutting
- Rubber coatings protect delicate finishes
- Carrying case and disc reminder included

**Alarm disc locks:** built-in motion sensor produces a high, piercing alarm if bike is disturbed or to warn against accidental drive away.



**3028**

Disc Lock 55mm x 55mm



**3031**

Disc Lock 5.5mm PIN



**3032**

Disc Lock 10mm PIN



**3029**

Disc Lock 72mm x 13mm



**3113**

Disc Lock 5.5mm PIN



Note:  
No disc reminder included,  
3 keys included, no light key.

**3114**

Alarm Disc Lock 5.5mm PIN

**NEW!**



**3044**

Alarm Disc Lock 10mm PIN

**NEW!**



### ADDITIONAL FEATURES



Carrying pouch with belt clip



The disc reminder prevents riding away while disc lock is still engaged



5 laser cut keys (1 micro-light and 4 extra grip keys). Micro-light key projects a bright white beam.





**MAGNUM**<sup>®</sup>  
SECURE LOCK SYSTEMS

[www.magnum.ws](http://www.magnum.ws)

Designs and specifications are subject to change without notice, due to modifications or improvements. Because of the printing, actual color of the product may be slightly different from the placed on pages.  
© 2010 MAGNUM® Industries Ltd. MAGNUM is registered trademark of MAGNUM Industries Ltd. Manufactured under EU, US and International patents. Other US and international utility and design patents are pending. The distinctive shapes, styles, packaging, configurations and overall appearances of all MAGNUM Locks are trademarks of MAGNUM Industries Ltd. The unique metal body, barrel shapes and color inherently identify them as members of the quality family of MAGNUM brand products.